



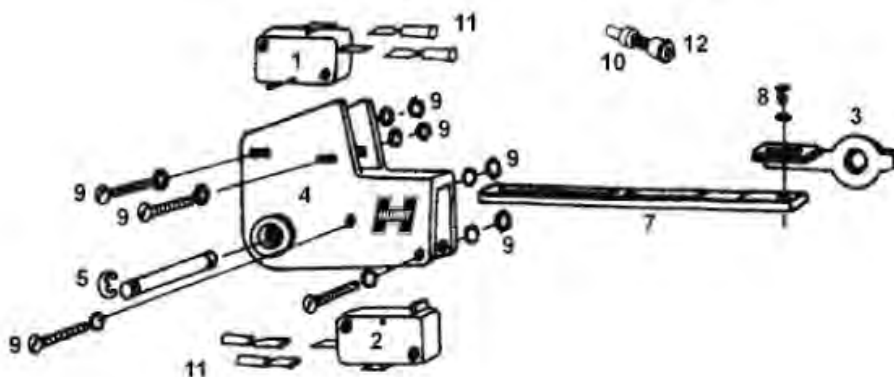
Installation Instructions NEUTRAL/PARK START SAFETY SWITCH HURST FRONT CABLE QUARTER STICK

HURST # 2488600

WORK SAFELY! For maximum safety, perform this installation on a clean, level surface and with the engine turned off. Place blocks or wedges in front of and behind both rear wheels to prevent movement in either direction.

CAUTION: To avoid any possibility of bodily injury or damage to vehicle, do not attempt installation until you are confident that the vehicle is safely secured and will not move.

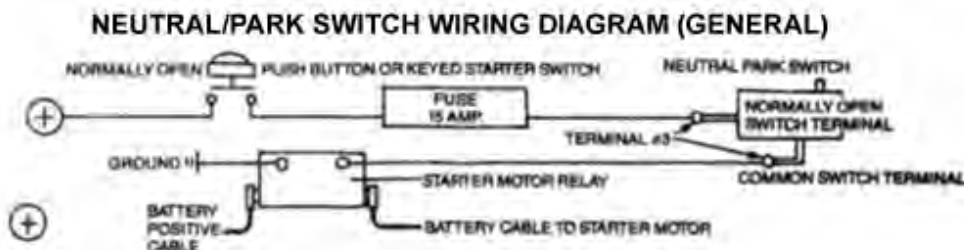
IMPORTANT: Improper assembly/installation can cause a malfunction, resulting in possible serious bodily injury.



1. Back-Up Light Switch
(Separate Kit)
2. Neutral/Park Safety Switch
3. Eye Bracket
4. Switch Housing Assembly
5. Ring Clip
6. Groove Pin
7. Slide Cam
8. Securing ScrePw and Lock Washer
9. 440 Screws, Washers, Nuts
10. Thread Stud (Rear Cable Only)
11. Female Connector
12. Sleeve Nut

1. Vehicle must have engine off, parking brake securely engaged, wheels blocked, with transmission and shifter in neutral position for proper switch installation.

2. Rewire the switch using 2 supplied female crimp connectors and two suitable lengths of 16 gauge, insulated automotive grade wire. Crimp a connector to one end of each wire, then push onto each switch terminal. See illustration below.



3. Remove right side, lower the hex-head cap screw and washer from the shifter handle. (See Figure 2).

4. Use trigger to shift stick back to gain access to gear position detent plate. This allows access to back end of the cable pin. Engage the hole in the provided eye bracket over the back end of the cable pin. (See Figure 2)

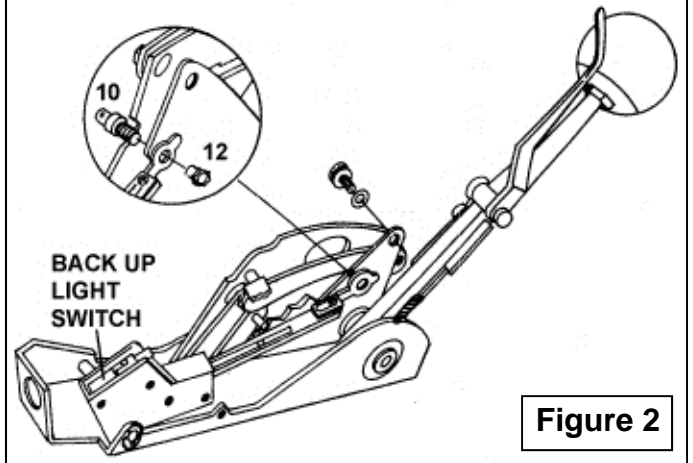


Figure 2

5. Use trigger to move stick back into neutral position and refasten lower hex head cap screw and washer. The eye bracket should be located between the stick and gear position detent plate.

NOTE: Eye Bracket must rotate freely.

6. Position bottom pinholes of the switch housing assembly to align with front pin holes on the base of shifter. With a ring clip on one end, position the groove pin through the pin holes in the shifter base and switch the housing assembly. When the groove pin is properly positioned, install the remaining clip on the other end of the groove pin.

NOTE: When using Hurst Quick-Release floor plate and/or aluminum cover, substitute one quick-release pin for groove pin and clips.

7. The slide cam of the switch requires adjustment to function properly. Verify the stick and transmission are in neutral position. To adjust the slide cam, loosen cam to bracket securing screw. Advance or hold back slide cam as required to either side of the middle position. Retighten securing screw. **Switch should only allow engine starting when shifter is in neutral or park positions.** Check switch/shifter several times for proper operation.

NOTE: Install with "A" side of slide cam facing up for all front-mounted shifters. Side "B" should face up for all rear-mounted cable shifters. Side identifications are molded into faces of slide cam.

8. Installation is now complete. Check switch/shifter for proper operation before each use. Securely tighten all fasteners.

INSTALLATION INSTRUCTIONS - REAR CABLE QUARTER STICK

Steps 1, 2, 3 and 6, 7, 8 are same as the Front Cable Quarter Stick Installation

9. Index stick and gear position detent plate so the cable stud is accessible for removal. Remove the cable stud and replace with the longer screw-in stud.

NOTE: Use Loctite thread locker #242 on new stud for positive mounting.

10. Slip sleeve nut through the hole in the eye bracket and fasten to the exposed threaded stud. Use the trigger to align the stick and gear position detent plate to neutral position. Re-fasten the lower hex-head cap screw and washer to the stick.

NOTE: The Eye Bracket must rotate freely. See Figure 2A on page 3

REAR CABLE MOUNT

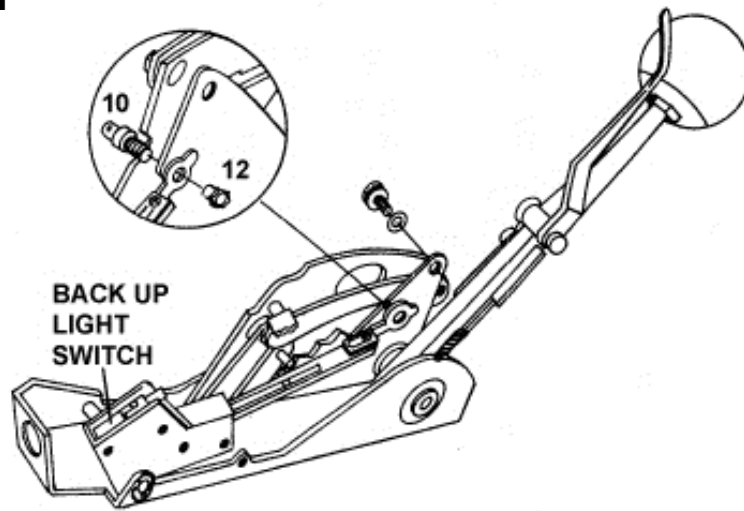


Figure 2A

IMPORTANT: RETAIN THESE INSTRUCTIONS FOR FUTURE REFERENCE

Technical Service

A highly trained technical service department is maintained by Hurst Performance to answer your technical questions, provide additional product information and offer various recommendations.

Technical service calls, correspondence, and warranty questions should be directed to:



Hurst Performance Products

(707) 544-4761

www.Hurst-Shifters.com